



www.hylineoffroad.com

1507 C West Park Avenue ~ Perkasie, PA 18944  
 Tel: 1.888.495.4631 ~ Fax: 215.257.4364

# Proudly Made In USA

## Installation Instructions:

JL Summit Air Dam Skid Plate  
 With Fog Lights

Part Number: **600.100.160**

## Vehicle Fitment:

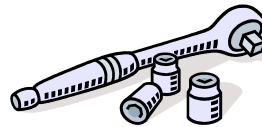
Fits JL Front Summit Bumpers

### Parts List

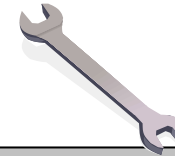
Qty:

- 1 JL Summit Air Dam Skid Plate
- 2 Mounting Brackets
- 6 3/8-16 x 1" Hex Bolts
- 6 3/8" Lock Washers
- 6 3/8" Flat Washers
- 2 3/8-16 Hex Nuts
- 8 8-32 x 1/2" Length Button Head Screw 316 Stainless Steel
- 12 Flat Washers Stainless Steel for Halogen Fog Lamp Installation
- 8 Butt Connectors with solder joint and adhesive heat shrink tubing

### Tools Needed



Ratchet  
 9/16" Socket  
 16mm Socket  
 6" Extension



9/16" Wrench



3/32 Hex Wrench



Wire Cutters



Heat Gun  
 (Recommended)

Congratulations on your purchase of the Hyline Offroad JL Summit Series Air Dam Skid Plate. Our products are completely manufactured in our facility located in Perkasie, PA. They are designed and engineered for durability and long product life. We sincerely thank you for your purchase and your support. We look forward to serving you in the future.

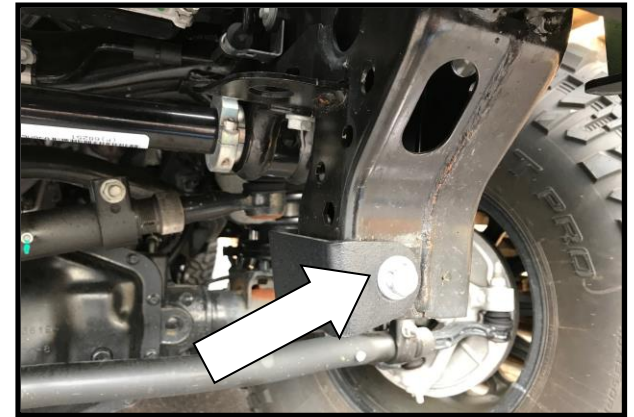
*Hyline Offroad Staff*

# PLEASE READ INSTRUCTIONS BEFORE BEGINNING INSTALLATION

## Air Dam Installation

- Step 1 – Before installing your Air Dam make sure there are no wires in your way. Air Dam must be installed after bumper is installed.
- Step 2 – Install factory fog lights into Hyline Air Dam. If you have stock LED fog lights that came out of a factory plastic bumper you can simply mount those lights into the Air Dam using the supplied 8-32 x 1/2" button head screws. If you have stock halogen fog lights you will need to first install them into the supplied mounting brackets, then fasten those brackets and lights into the air dam using the 8-32 x 1/2" button head screws. (See Supplemental Diagram on Page 3)
- Step 3 – Using the 16mm socket and the two factory bolts that were removed from the metal shroud during the front bumper removal process, install the supplied mounting brackets as shown in (Figure 1). If you had a metal bumper then you would not have had the two factory bolts. Instead you will use the two supplied 3/8-16 x 1" hex bolts, flat washers, lock washers and hex nuts to install the mounting brackets using the existing holes in each frame bracket. (See Figure 1)

**Figure 1**



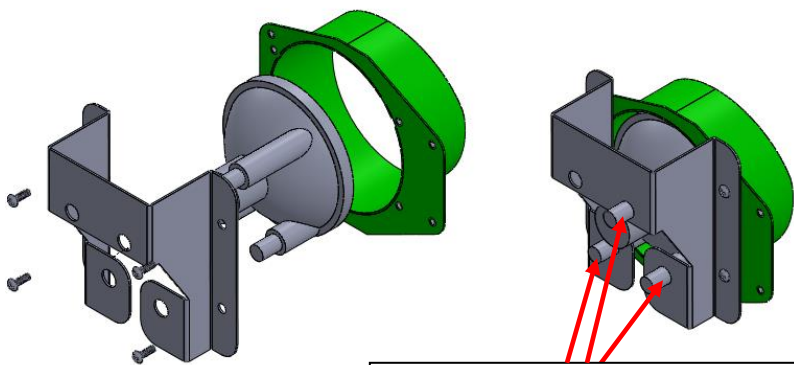
**Figure 2**

- Step 4 – Using the 9/16" socket with 6" extension, place the 3/8-16 x 1" bolt with lock washer and flat washer into the socket. While holding the Air Dam in place, thread the bolt (2x) through the slots and into the bumper weldnut. (See Figure 2)
- Step 5 – Using the 9/16" socket again, install the other two 3/8-16 x 1" hex bolts, lock washers, and flat washers from the backside of the air dam into the mounting bracket weldnuts.
- Step 6 – The fog lights are now located lower than original mounting location in the bumper so the wire harness will have to be extended. Use the supplied butt connectors and wire lengths to extend the wiring harness. Replug the lights in.

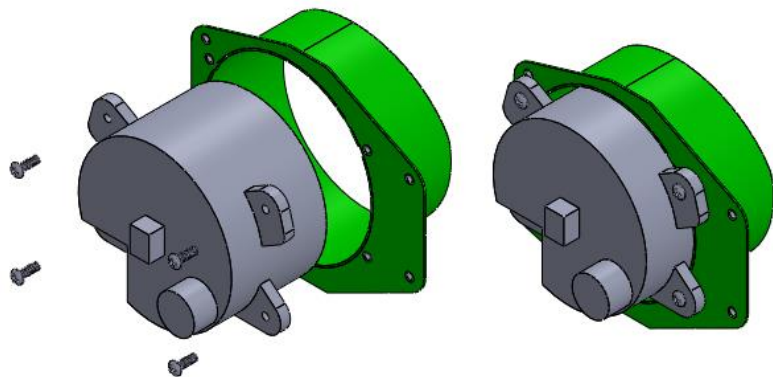
# Supplemental Fog Light Diagrams

## Sport, Sahara & Rubicon Models With Factory Plastic Bumpers

All brackets shown below are included with our bumper kits. The brackets are necessary to mount the OEM Halogen or LED Fog Lights into the Hyline Bumper or Air Dam Skid Plate. Both types of fog lights are found in the factory plastic bumpers. Use the 8-32 button head screws to assemble fog lights to bumper light housing.



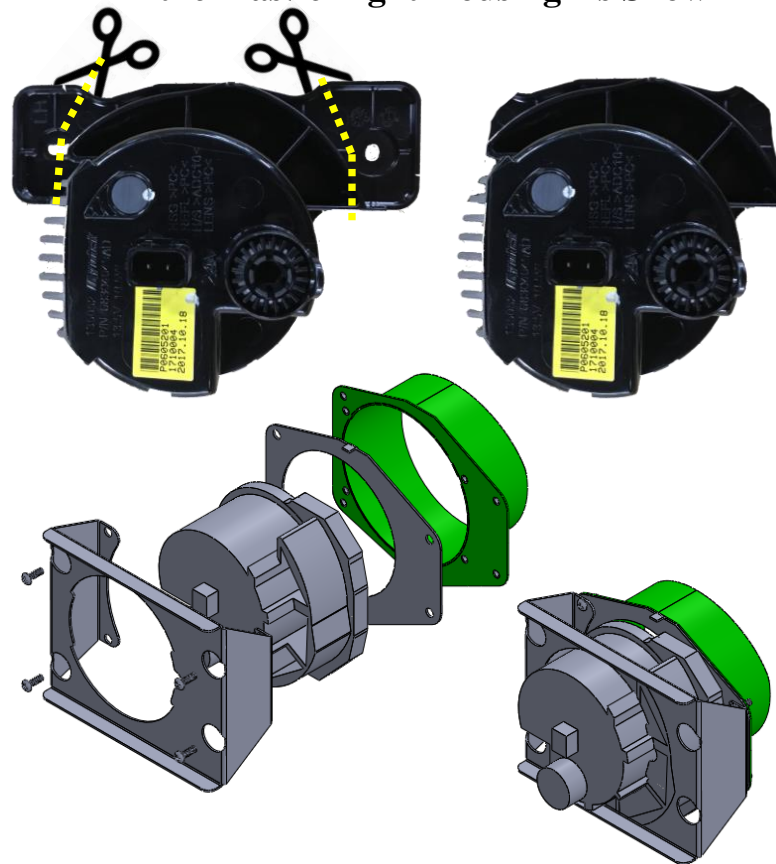
PUSH ON TWO FLAT WASHERS  
ONTO EACH PLASTIC CAP



## Rubicon Steel Factory Bumpers

If you are using LED Fog Lights that were removed from a factory metal bumper, then you will need to purchase Hyline Offroad part number 600.100.170. This bracket set will allow you to mount this type of LED Fog Light into your new Hyline Bumper or Air Dam Skid Plate.

### Trim the Plastic Light Housing As Shown



**\*\* IMPORTANT: PLEASE READ BEFORE INSTALLING**

**HYLINE OFFROAD, LLC WARRANTY**

HYLINE OFFROAD, LLC. LIMITED WARRANTY Hyline Offroad, LLC, warrants all products against manufacturer's defects in workmanship and material for a period of one (1) year from the date of sale. This warranty applies to manufacturer's defects only and does not cover damage or failure caused by natural causes or third parties.

If product failure does occur within the time period specified according to the provisions of this Warranty, then Hyline Offroad, LLC agrees to provide the replacement product free of charge, F.O.B. factory. This Warranty is valid only so long as the product is installed on the original vehicle. Removal of the product from this vehicle automatically invalidates this Warranty.

As described above, this warranty is expressly limited to the material cost of the product and does not extend to labor costs. Hyline Offroad, LLC will not be responsible for any costs incurred in the removal or reinstallation of the product furnished by manufacturer under this warranty.

CLAIMS PROCEDURE Submit Warranty claim in writing, by certified mail to Hyline Offroad, LLC, 1507 C West Park Avenue, Perkasio, PA 18944. The Claim Notice must state the date of this Notice, the nature of the defect, date of purchase and if already installed, the date of installation, if installed the name of installer and include Proof of Purchase.

This Warranty shall be for the benefit of the original owner only, and is non-transferable. This Warranty is valid in those states where permitted. Some states do not allow limitations on the length of an implied warranty, so the above limitation may not apply to you. Some states do not allow the exclusion or limitation of incidental or consequential damages, so the above limitation or exclusion may not apply to you. You should check your local state laws to determine this. This Warranty gives you specific legal rights, and you may also have other rights, which vary from state to state.

THE WARRANTIES SET FORTH IN THE FOREGOING PROVISIONS ARE LIMITED TO THEIR PRECISE TERMS AND PROVIDE EXCLUSIVE REMEDIES EXPRESSLY IN LIEU OF ALL OTHER WARRANTIES. THERE ARE NO WARRANTIES, EXPRESS OR IMPLIED, WHICH EXTEND BEYOND THE DESCRIPTION IN THE FOREGOING PROVISIONS. HYLINE OFFROAD, LLC EXPRESSLY DISCLAIMS ANY IMPLIED WARRANTY OF MERCHANTABILITY WITH REGARD TO THE PRODUCTS. HYLINE OFFROAD, LLC IS NOT LIABLE TO ANYONE FOR INCIDENTAL OR CONSEQUENTIAL DAMAGES FOR BREACH OF ANY WARRANTY, EXPRESS OR IMPLIED. HYLINE OFFROAD, LLC IS NOT LIABLE FOR DAMAGES TO PERSON OR PROPERTY, CONSEQUENTIAL LOSSES, LOSS OF PROFIT, LOSSES OF PRODUCT IN STORE, OR THE LIKE, UNDER ANY CIRCUMSTANCES AND HYLINE OFFROAD, LLC'S LIABILITY IN ANY CIRCUMSTANCE IS SPECIFICALLY LIMITED BY THE TERMS OF THIS WARRANTY.

**HYLINE OFFROAD, LLC HOLD HARMLESS AGREEMENT**

1. In purchasing a Hyline Offroad, LLC Product™ I release, waive, discharge and covenant not to sue Hyline Offroad, LLC's officers, servants, agents, or employees (hereinafter referred to as Releasees) from any and all liability, claims, demands, actions and causes of action whatsoever arising out of or related to any loss, damage, or injury, including death, that may be sustained by me (or anyone else), any property belonging to me (or anyone else), whether caused by the negligence of the releasees or otherwise, while working on, using or any activity related to this product.
2. I am fully cognizant of any risks and/or hazards connected with the use of a this product and I elect to willingly engage in such use of this product knowing that the use may be hazardous to me and my property. I willingly assume full responsibility for any risks of loss, property damage or personal injury, including death, that may be sustained by me (or anyone else), or any loss or damage to property owned by me (or anyone else), as a result of using this product, whether caused by the negligence of releasees or otherwise.
3. I further agree to indemnify and hold harmless the releases from any loss, liability, damage or costs, including court cost and attorney fees, that they may incur due to my use of a this product, whether caused by negligence of releasees or otherwise.
4. It is my express intent that this Release and Hold Harmless Agreement shall bind the members of my family and spouse, if I am alive, and my heir's assigns and personal representative, if I am deceased, and shall be deemed as a release, waiver, discharge, and covenant not to sue the above named releasees. I further agree that this Waiver of Liability and Hold Harmless Agreement shall be construed in accordance with the laws of the State of Pennsylvania.

*By accepting and installing this product, I acknowledge and represent that I have read the above Warranty and Hold Harmless Agreement, understand it and accept it willingly as my own free act and deed; no oral presentations, statements, or inducements, apart from the foregoing written agreement, have been made; I am at least eighteen (18) years of age and fully competent; and I execute this Release for full, adequate and complete consideration fully intending to be bound by same.*

*If you do not agree with the preceding Hold Harmless Agreement, you may return the product and receive a full refund. Please, contact a Hyline Offroad sales representative and they will issue a call tag for the product in question. Once the product has been received by Hyline Offroad, inspected and accepted for return, a full refund will be issued.*